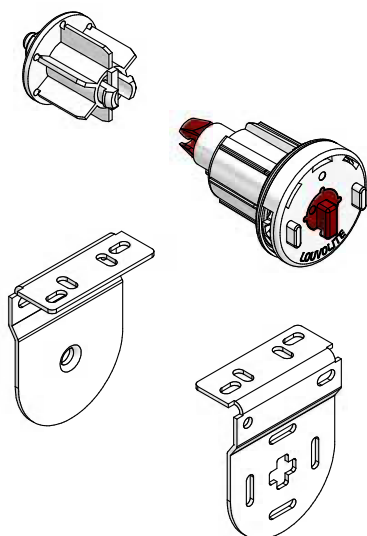
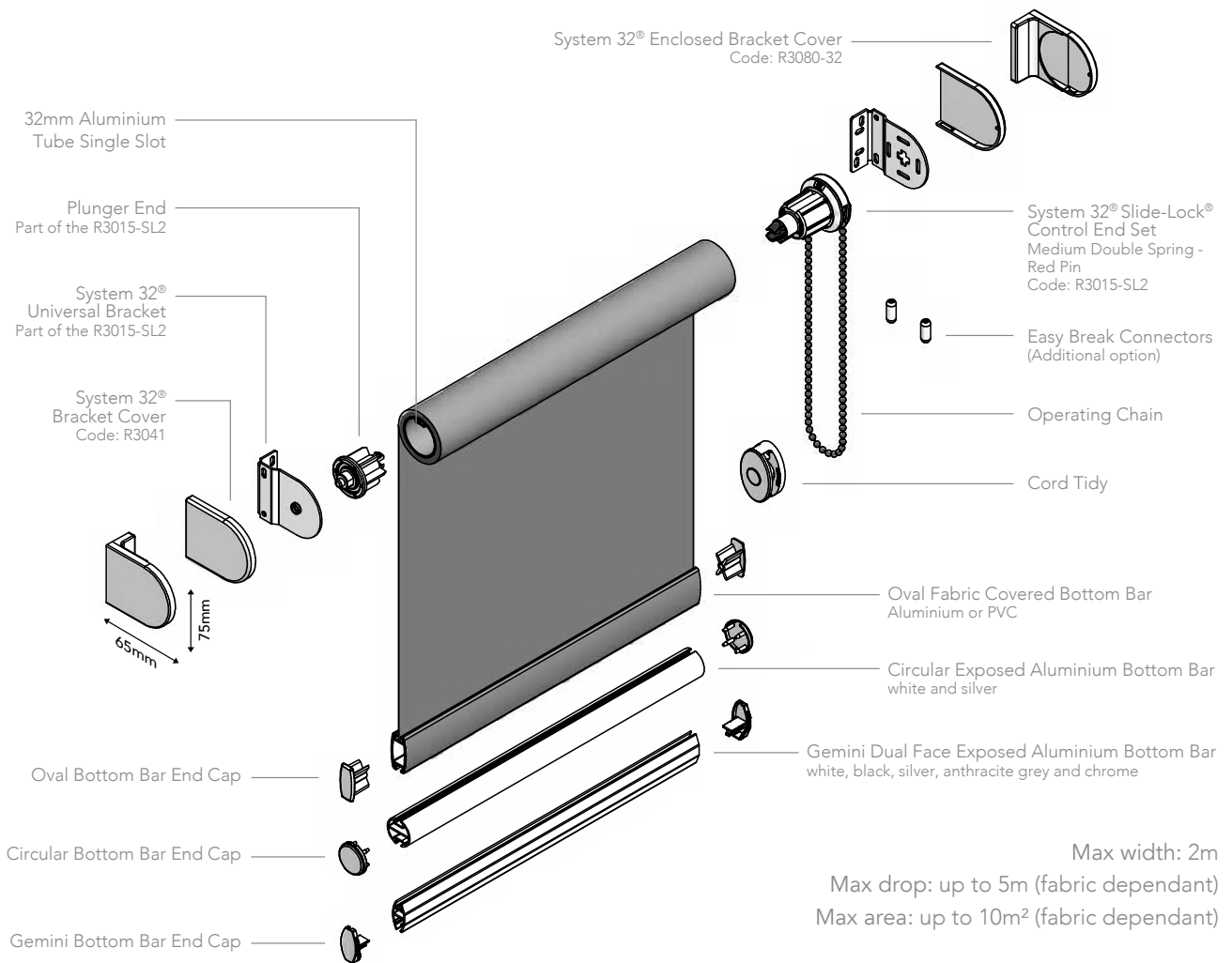


# SYSTEM 32® ROLLER SYSTEM



- Designed and manufactured in the UK, all Louvolite systems are 10 year life cycle tested to ensure long lasting performance.
- System 32® Slide-Lock® combines heavier holding weights with anti-fray features that ensure enhanced blind performance.
- For blinds up to 2m wide, System 32® Red Pin has a 8lb maximum holding weight.
- Manufactured using high quality engineering grade polymer.
- Improved chain location for quick and easy on-site adjustment.
- Universal brackets and a spring idle end plunger enable easy and quick installation.
- Standard white pin (R3005-SL1) and medium blue pin (R3015-SL1) Slide Lock® end sets available
- Additional options: open, closed and hybrid cassettes, bracket covers and can be used with the Louvolite Blockout System.
- Can be motorised using Louvolite One Touch® Magic Wand. White pin: R1700-RH-800; Blue Pin RH: R1705-RH-800; Blue Pin LH: R1706-LH-800) and using Louvolite One Touch™ Lithium rechargeable motor (R1710)
- Colours available: white, beige, grey and black. Additional cassettes and bracket covers have their own dedicated colours.

# HARDWARE SPECIFICATION

## System 32® Roller System

Our roller blinds are manufactured using the Louvolite System 32® roller blind mechanism with specifically designed grooved 32mm aluminium tubing. The specified fabrics are formed and held into the tube with locking tape. The side control units, manufactured in the UK, are made from glass filled Nylon 6, with an acetal sprocket and sprocket guard.

The operating chain, No. 10 size in metal or plastic, ensures reliable performance, and improved chain location enables quick and easy on-site adjustment. The mild steel brackets are zinc plated and powder coated, suitable for top, face or side fixing.

A sprung plunger end mechanism is positioned

at the opposite end to the control unit, providing a more secure fit of the blind and smooth operation.

### Performance

To ensure a positive performance, all Louvolite Roller System units are designed and manufactured in the UK using prime quality plastic materials and a dedicated steel locking spring. The sidewinders will lock into the bracket with the unique bracket securing pin for safety after installation.

10 year life cycle testing is done to ensure long lasting performance. The units will accept both metal or plastic operating chain providing reliable smooth operation.

### Operation

Using manual or motorised

operation, all blinds must be compliant with the child safety elements of BS EN13120. Where children may be present, the chain must be fitted with easybreak connectors or cord tidy devices.

### Bottom Bar

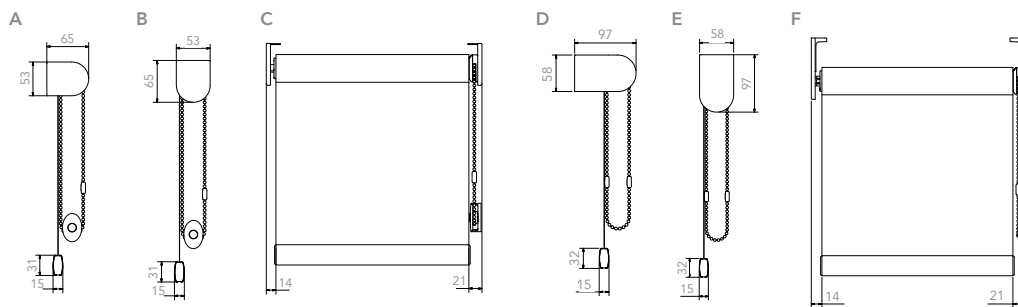
Oval, made of aluminium or pvc, can be single or double wrapped in fabric or left exposed, while circular and the dual face Gemini, made of aluminium, only have the fabric formed and locked into the top part to leave the bar exposed. All fabric is formed and held into place with locking tape. The dual face Gemini bar, smooth on one side and angular on the other, improves the ease of manufacture and use of thicker laminate fabrics.

### Maintenance

All of the System 32® roller blind system components are manufactured using aluminium and plastic. They do not present any corrosion problems in normal environments. The system has been designed for a smooth operation, together with a rigidity to prolong the window blind's working life.

### Additional Option: Cassette

Cassettes are specially designed and powder coated with dedicated top, direct or face fix brackets. On specification the user has the choice between a single coloured extrusion in dedicated colours or a fascia which incorporates the same fabric or contrasting fabric used on the roller blind.



- A. 32° standard metal bracket face fix & cover
- B. 32° standard metal bracket top fix & cover
- C. 32° standard metal bracket top fix front view
- D. 32° extended metal bracket face fix & cover
- E. 32° extended metal bracket top fix & cover
- F. 32° extended metal bracket top fix front view & cover

## LOUVOLITE SIDE CONTROL SYSTEMS MAXIMUM BLIND SIZE

SYSTEM	FABRIC GROUP	BLIND WIDTH (m) FOR BLIND DROP (m)				MAX HOLDING WEIGHT
		0.5	1.0	1.5	2.0	
System 32® White Pin	up to 200g/m sq	3.0	3.0	3.0	2.0	4lb blind at 4mm deflection
	200 > 320g/m sq	1.7	2.0	2.0	1.5	
	320 > 485g/m sq	1.9	2.0	2.0	1.5	
System 32® Blue Pin	up to 200g/m sq	4.0	4.0	4.0	4.0	6lb blind at 4mm deflection
	200 > 320g/m sq	3.0	3.0	3.0	3.0	
	320 > 485g/m sq	1.9	1.9	1.9	1.9	
System 32® Red Pin	up to 200g/m sq	4.0	4.0	4.0	4.0	8lb blind at 5mm deflection
	200 > 320g/m sq	3.0	3.0	3.0	3.0	
	320 > 485g/m sq	3.0	3.0	2.5	2.5	

Your Louvolite System 32® Distributor:



UK MANUFACTURED

[www.louvolitecommercial.com](http://www.louvolitecommercial.com)

CI/SIB 1976 reference by SIB Agency		
(76.7)	X	

S250102-32 07.19